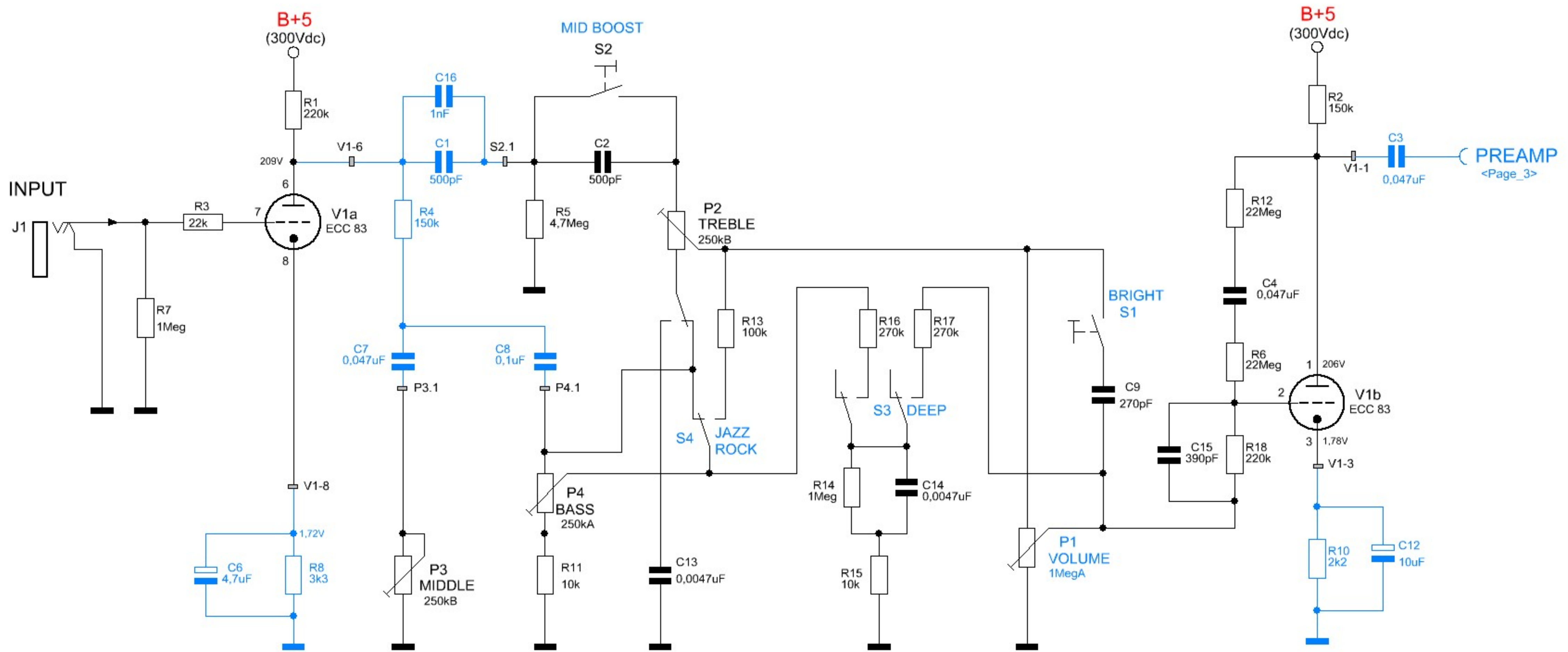


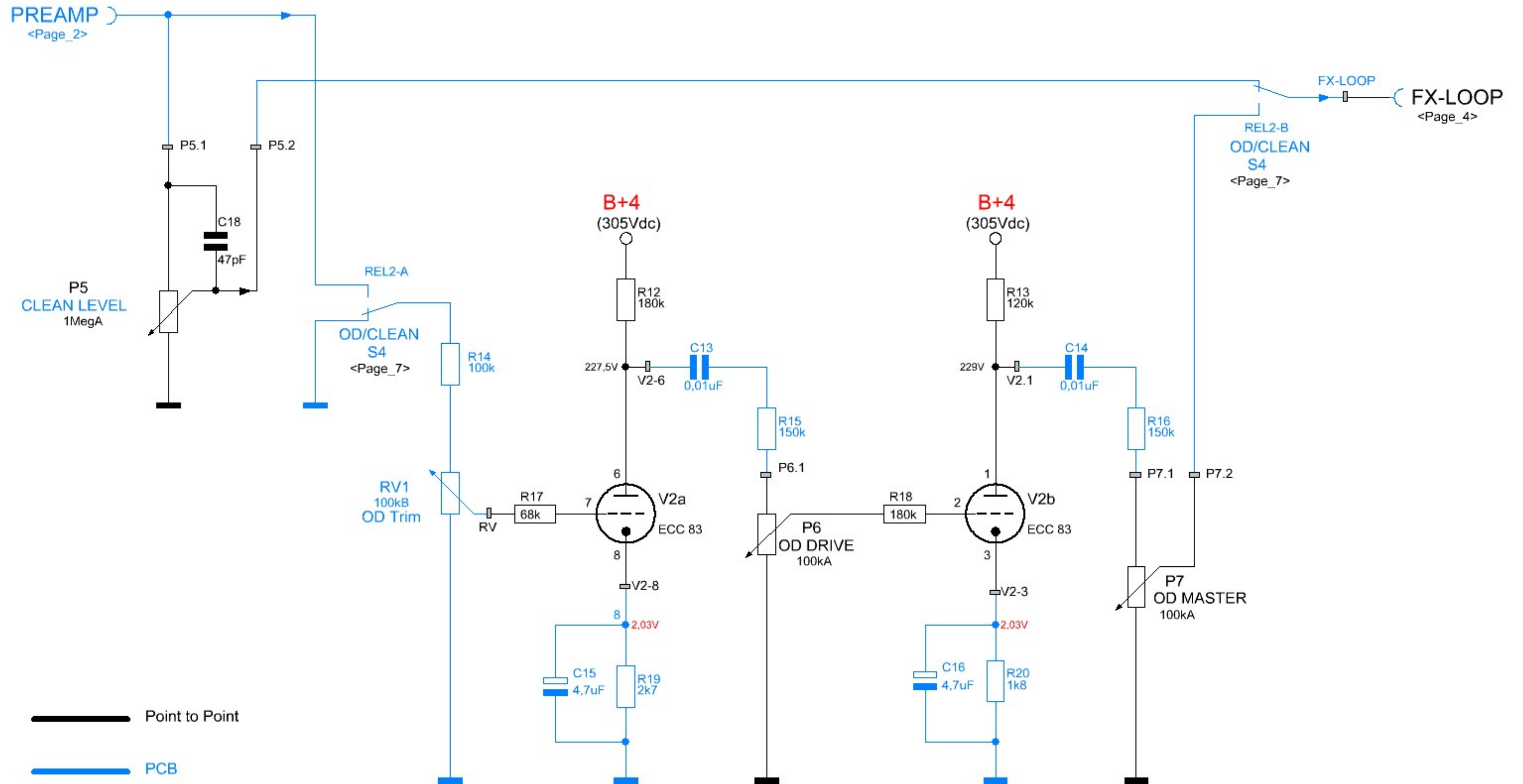
PREAMP SECTION



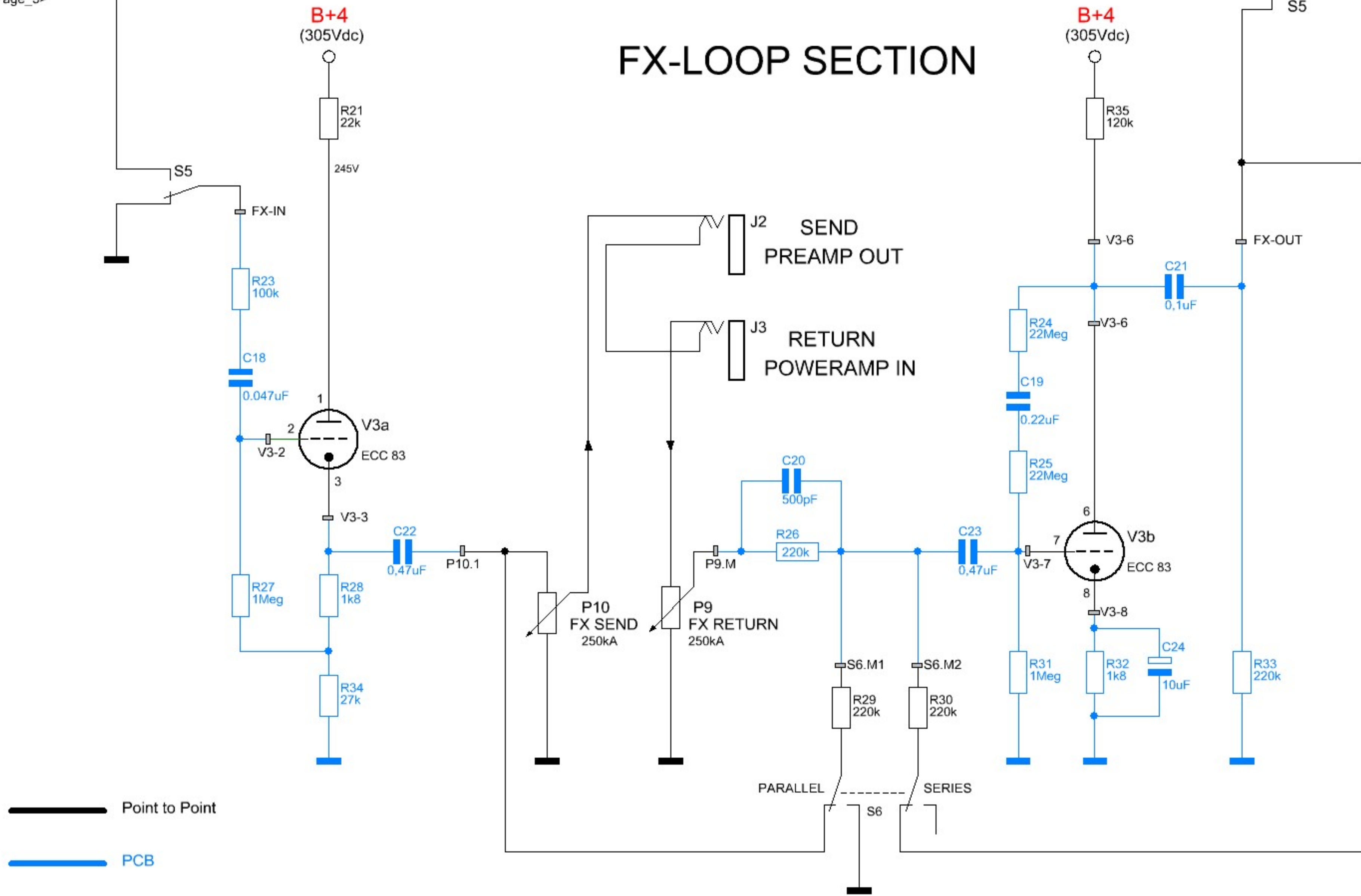
Point to Point

PCB

OVERDRIVE SECTION

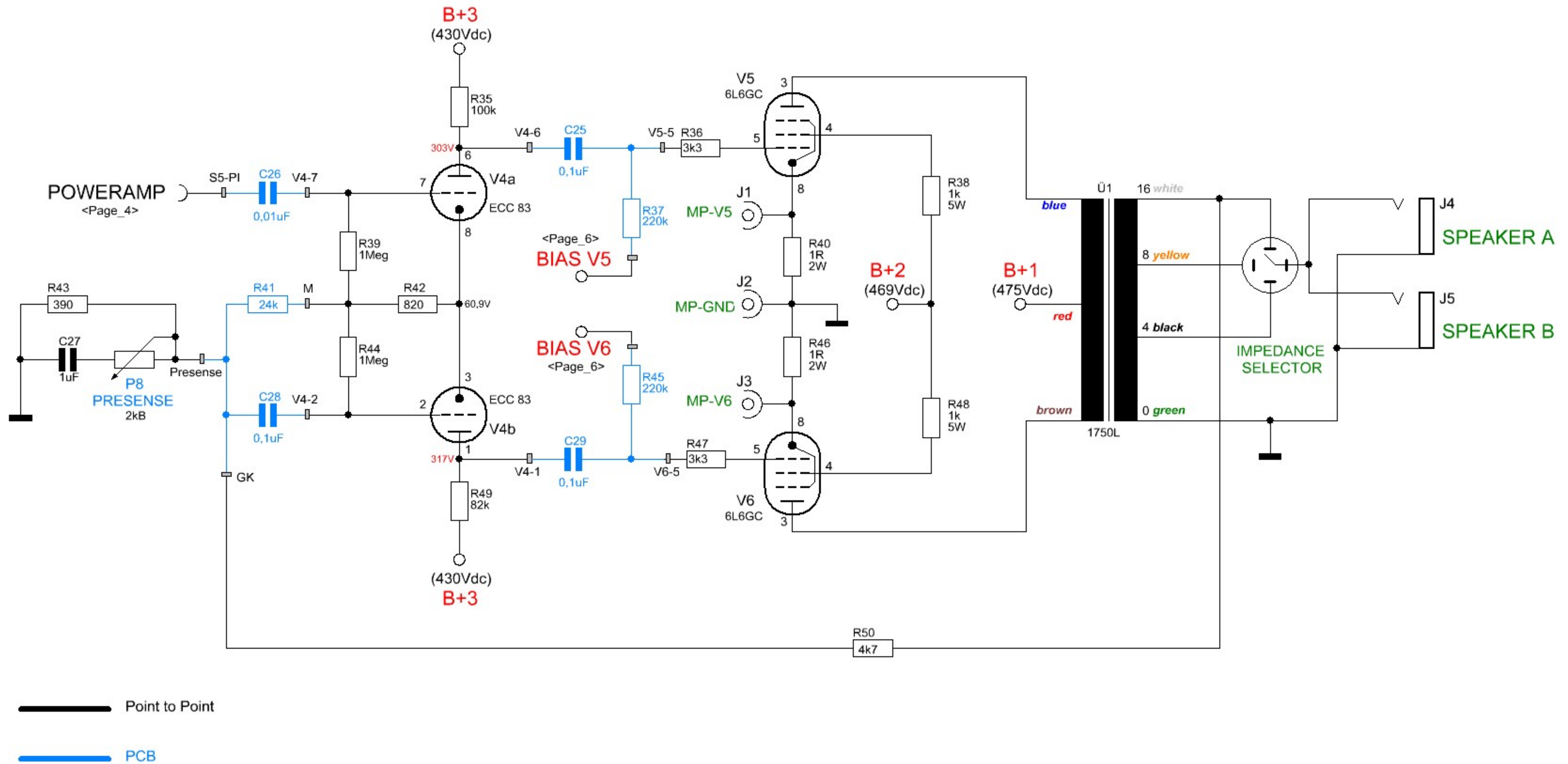


FX-LOOP SECTION

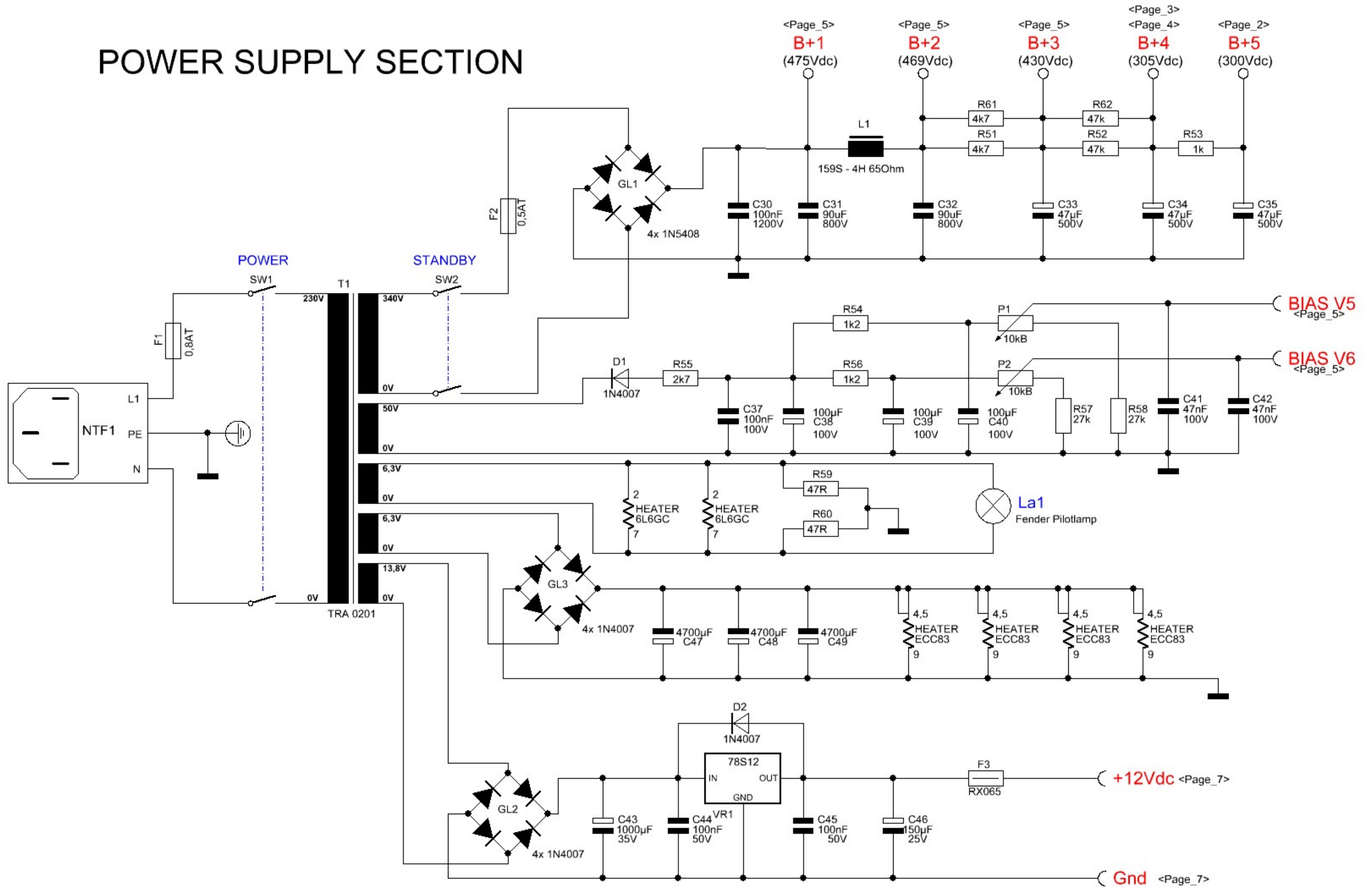


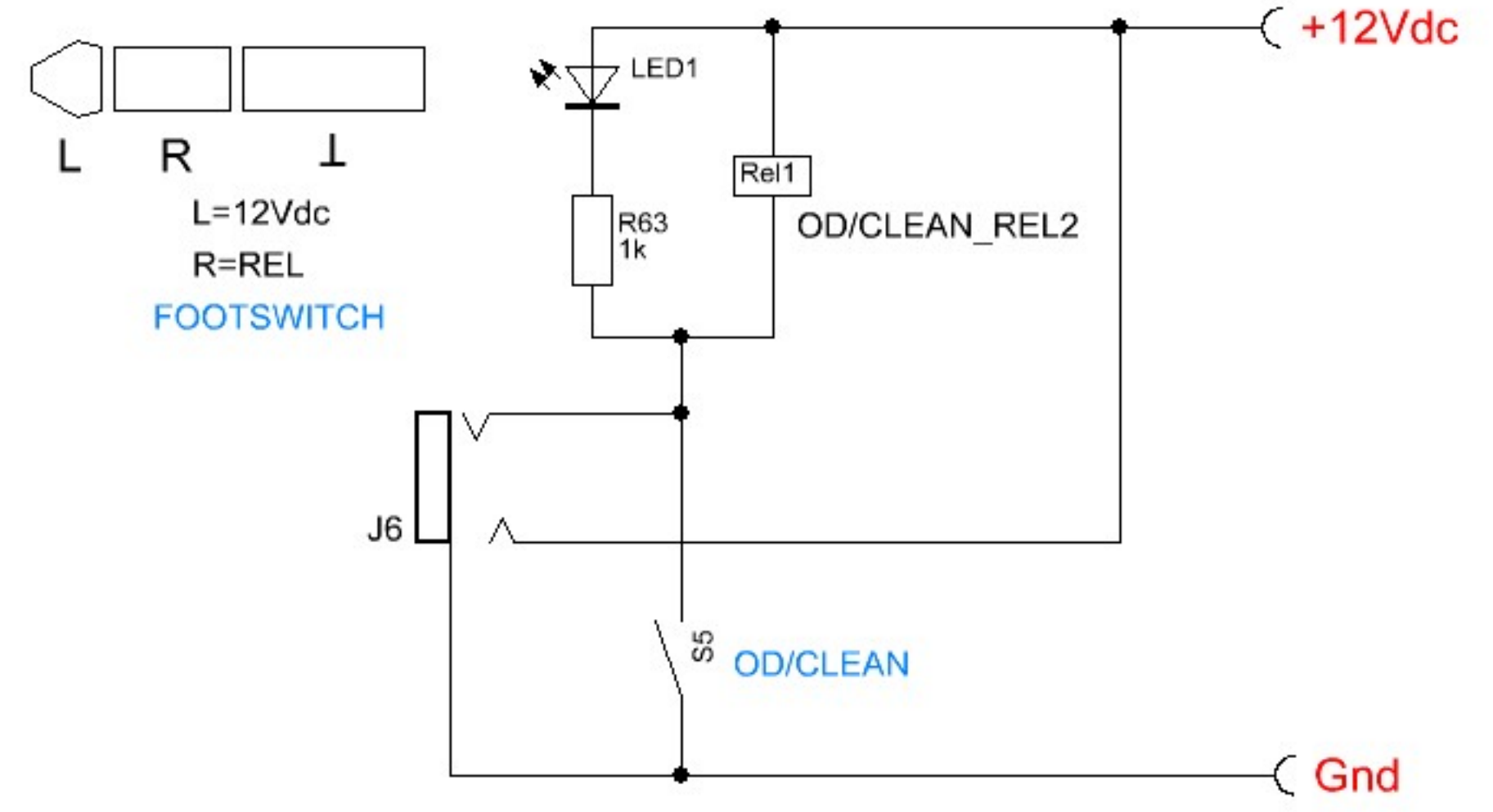
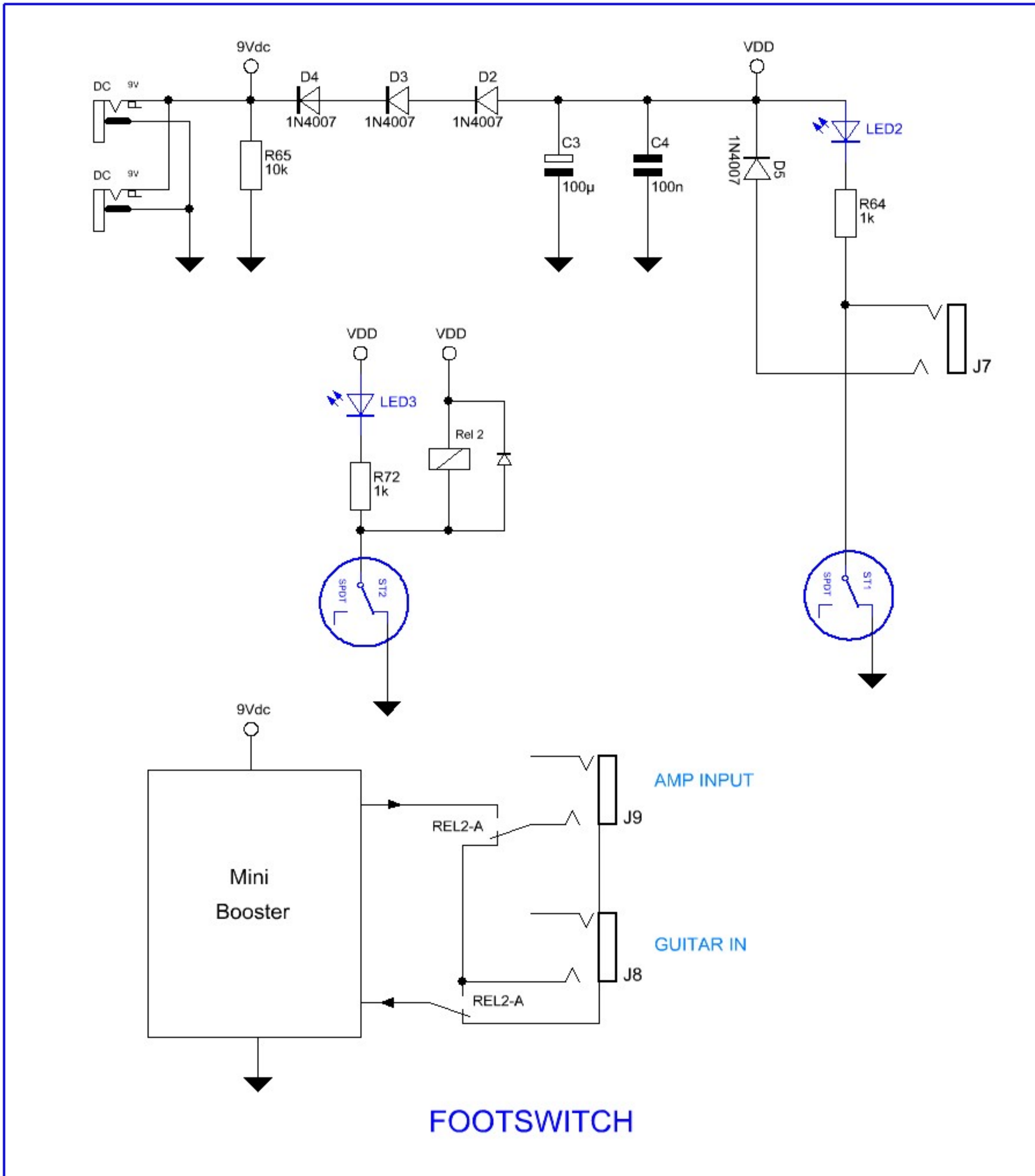
Point to Point
PCB

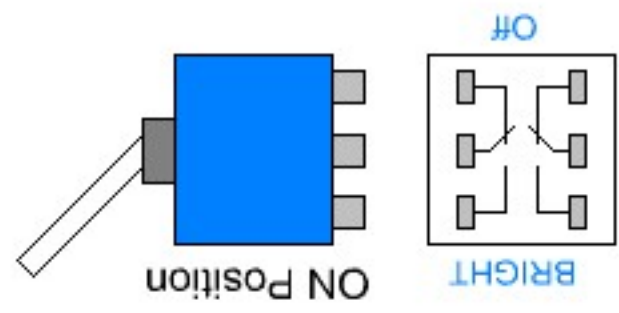
POWERAMP SECTION



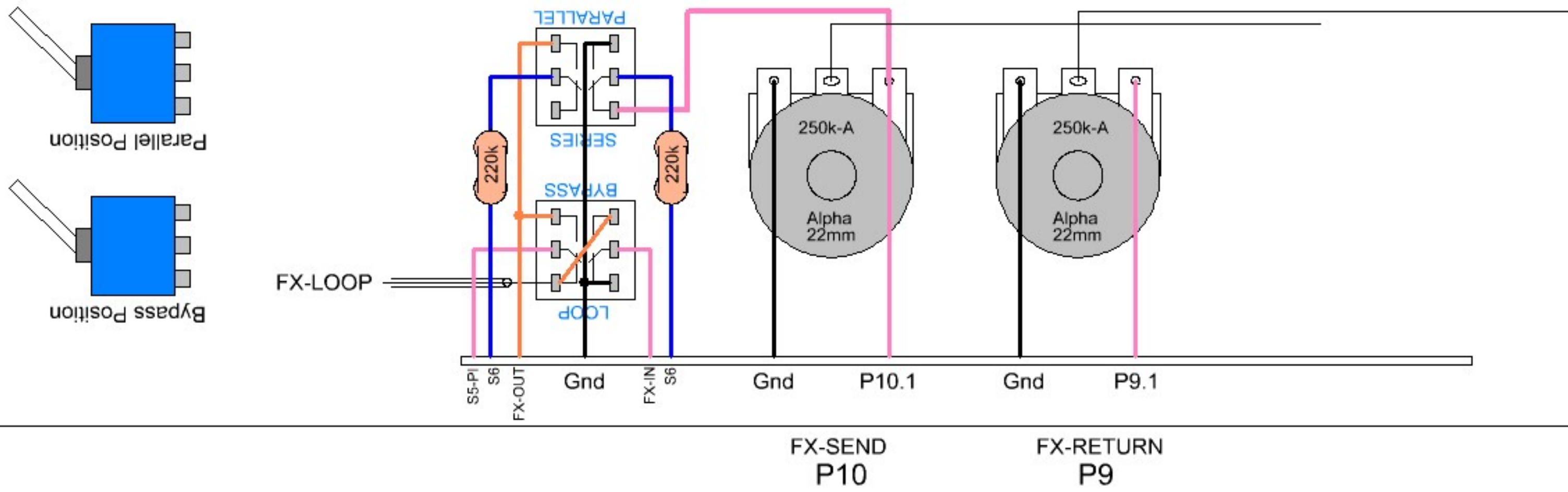
POWER SUPPLY SECTION







FX-LOOP WIRING



TONESTACK WIRING

