

10" - 200W Neodymium Guitar Loudspeaker

N 10/100 TR - 8 Ω

Code ZJ05360

GENERAL CHARACTERISTICS

Nominal Overall Diameter	259	mm
Nominal Voice Coil Diameter	50	mm
Magnet Weight	200	g
Flux Density.....	1.20	T
Weight.....	1.75	Kg

THIELE-SMALL PARAMETERS

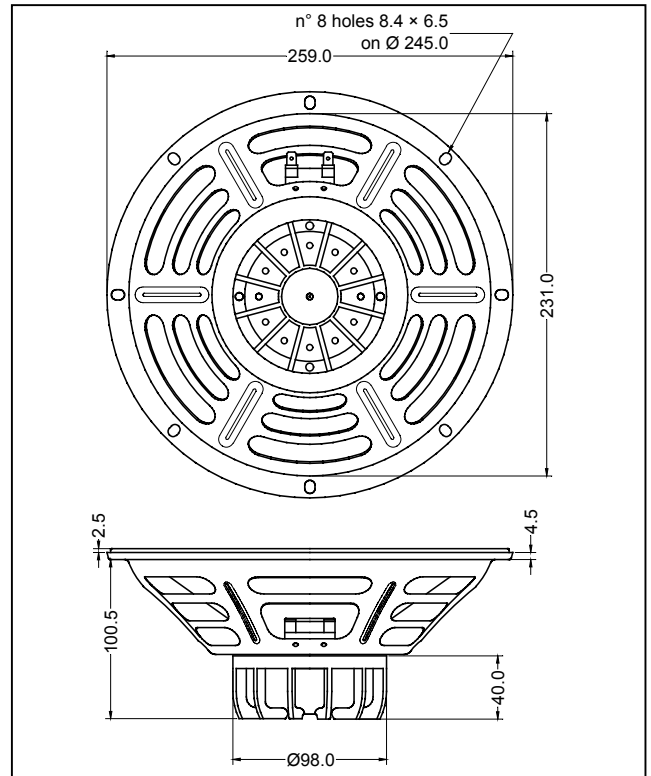
Voice Coil DC Resistance	R_E	6.48	Ω
Resonance Frequency	f_s	82.4	Hz
Mechanical Q Factor.....	Q_{MS}	7.90	
Electrical Q Factor.....	Q_{ES}	0.50	
Total Q Factor	Q_{TS}	0.47	
Mechanical Moving Mass	M_{MS}	20.8	g
Mechanical Compliance	C_{MS}	179	μm/N
Force Factor	$B \times l$	11.77	Wb/m
Equivalent Acoustic Volume.....	V_{AS}	27.6	lt.
Maximum Linear Displacement	X_{MAX}	+/-1.0	mm
Reference Efficiency	η_0	2.94	%
Diaphragm Area	S_D	330.1	cm ²
Losses Electrical Resistance.....	R_{ES}	101.4	Ω
Voice Coil Inductance @ 1kHz	L_E	0.70	mH

CONSTRUCTIVE CHARACTERISTICS

Magnet.....	Neodymium
Voice Coil Winding.....	Aluminium
Voice Coil Former.....	Kapton
Cone	Paper
Surround.....	Paper - Integrated
Dust Dome	Non Treated Cloth
Basket	Pressed Sheet Steel

ELECTRICAL CHARACTERISTICS

Nominal Impedance.....	8	Ω
Musical Power	200	W
Rated Power*	100	W
Sensitivity @ 1 W, 1 m	97.8	dB



*rated power measured with 2 hours test with pink noise signal, 6 dB crest factor, loudspeaker mounted on enclosure
Thiele-Small parameters measured with I ASFR system

Frequency Response on IEC Baffle (DIN 45575) @ 1 W, 1 m - Impedance

