

15" - 200W Ceramic Guitar Loudspeaker

C 15 K - 8 Ω

Code ZJ07110

GENERAL CHARACTERISTICS

Nominal Overall Diameter	385	mm
Nominal Voice Coil Diameter	50	mm
Magnet Weight	1450	g
Flux Density.....	1.15	T
Weight.....	5.28	Kg

THIELE-SMALL PARAMETERS

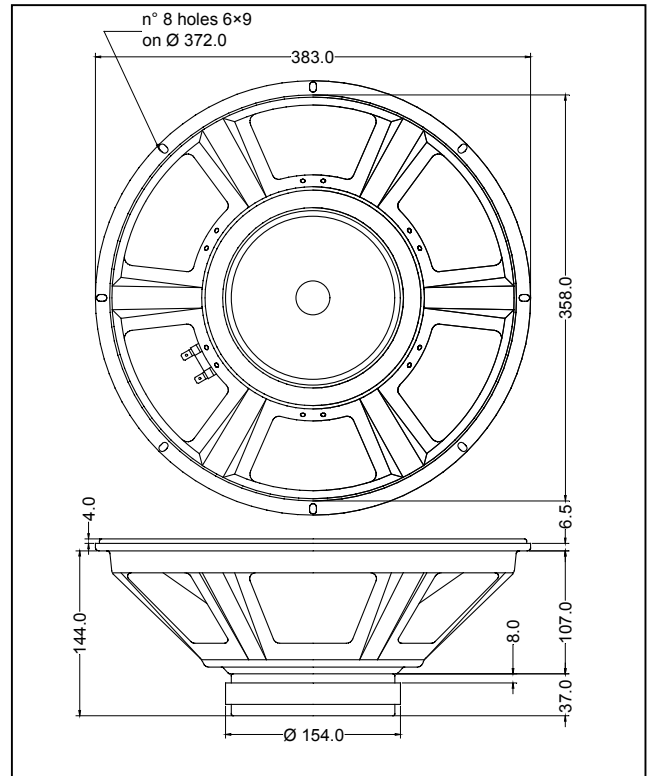
Voice Coil DC Resistance	R_E	6.70	Ω
Resonance Frequency	f_s	73.0	Hz
Mechanical Q Factor.....	Q_{MS}	14.39	
Electrical Q Factor.....	Q_{ES}	0.91	
Total Q Factor	Q_{TS}	0.86	
Mechanical Moving Mass	M_{MS}	43.3	g
Mechanical Compliance	C_{MS}	110	μm/N
Force Factor	$B \times l$	12.48	Wb/m
Equivalent Acoustic Volume.....	V_{AS}	87.6	lt.
Maximum Linear Displacement	X_{MAX}	+/-1.0	mm
Reference Efficiency	η_0	3.60	%
Diaphragm Area	S_D	754.7	cm ²
Losses Electrical Resistance.....	R_{ES}	110.0	Ω
Voice Coil Inductance @ 1kHz	L_E	0.96	mH

CONSTRUCTIVE CHARACTERISTICS

Magnet.....	Ferrite
Voice Coil Winding.....	Copper
Voice Coil Former.....	Kapton
Cone	Paper
Surround.....	Paper - Integrated
Dust Dome	Non Treated Cloth
Basket	Pressed Sheet Steel

ELECTRICAL CHARACTERISTICS

Nominal Impedance.....	8	Ω
Musical Power	200	W
Rated Power*	100	W
Sensitivity @ 1 W, 1 m	98.0	dB



*rated power measured with 2 hours test with pink noise signal, 6 dB crest factor, loudspeaker mounted on enclosure

Frequency Response on IEC Baffle (DIN 45575) @ 1 W, 1 m - Impedance

