

10" - 50W AlNiCo Guitar Loudspeaker

P 10 R - 8 Ω

Code ZJ05051

GENERAL CHARACTERISTICS

Nominal Overall Diameter	259	mm
Nominal Voice Coil Diameter	25	mm
Magnet Weight	200	g
Flux Density.....	0.96	T
Weight.....	1.40	Kg

THIELE-SMALL PARAMETERS

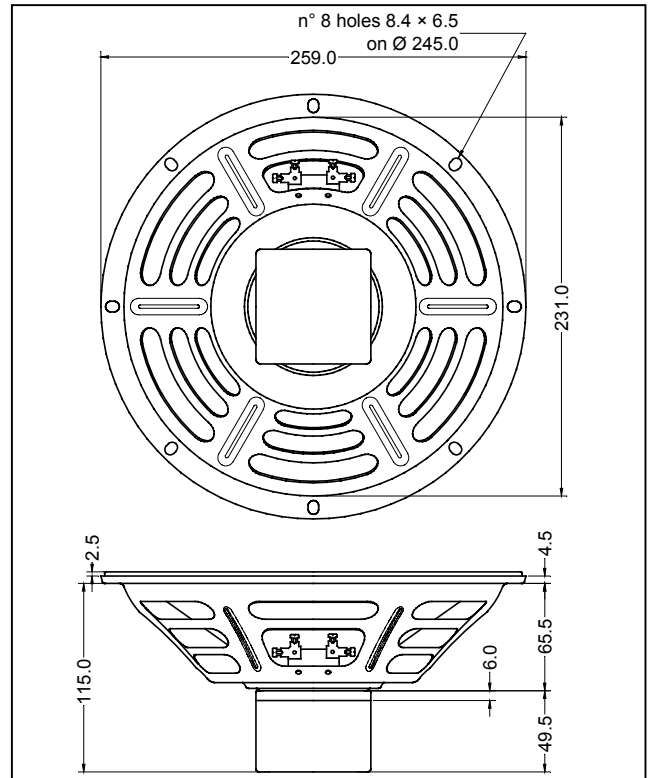
Voice Coil DC Resistance	R_E	6.70	Ω
Resonance Frequency	f_s	97.0	Hz
Mechanical Q Factor.....	Q_{MS}	23.55	
Electrical Q Factor.....	Q_{ES}	1.60	
Total Q Factor	Q_{TS}	1.50	
Mechanical Moving Mass	M_{MS}	13.1	g
Mechanical Compliance	C_{MS}	207	μm/N
Force Factor	$B \times l$	5.86	Wb/m
Equivalent Acoustic Volume.....	V_{AS}	31.6	lt.
Maximum Linear Displacement	X_{MAX}	+/-0.8	mm
Reference Efficiency	η_0	1.70	%
Diaphragm Area	S_D	330.1	cm ²
Losses Electrical Resistance.....	R_{ES}	102.0	Ω
Voice Coil Inductance @ 1kHz	L_E	0.54	mH

CONSTRUCTIVE CHARACTERISTICS

Magnet.....	AlNiCo
Voice Coil Winding.....	Copper
Voice Coil Former.....	Kapton
Cone	Paper
Surround.....	Paper - Integrated
Dust Dome	Felt
Basket	Pressed Sheet Steel

ELECTRICAL CHARACTERISTICS

Nominal Impedance.....	8	Ω
Musical Power	50	W
Rated Power*	25	W
Sensitivity @ 1 W, 1 m	95.0	dB



*rated power measured with 2 hours test with pink noise signal, 6 dB crest factor, loudspeaker mounted on enclosure

Frequency Response on IEC Baffle (DIN 45575) @ 1 W, 1 m - Free Air Impedance

