

8" - 50W AlNiCo Guitar Loudspeaker

P 8 R - 8 Ω

Code ZJ04040

GENERAL CHARACTERISTICS

Nominal Overall Diameter	207	mm
Nominal Voice Coil Diameter	25	mm
Magnet Weight	200	g
Flux Density.....	0.96	T
Weight.....	1.20	Kg

THIELE-SMALL PARAMETERS

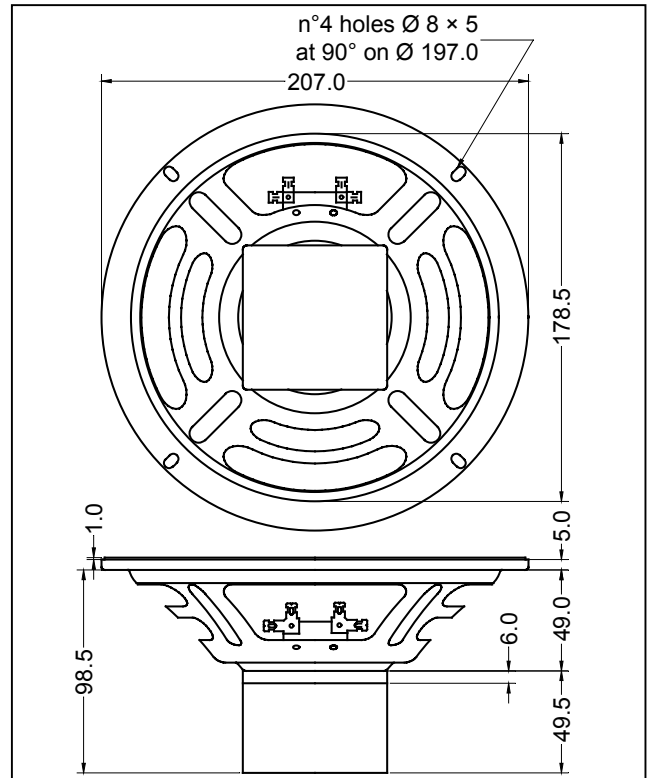
Voice Coil DC Resistance	R_E	6.70	Ω
Resonance Frequency	f_s	130.0	Hz
Mechanical Q Factor.....	Q_{MS}	9.18	
Electrical Q Factor.....	Q_{ES}	2.30	
Total Q Factor	Q_{TS}	1.84	
Mechanical Moving Mass	M_{MS}	9.3	g
Mechanical Compliance	C_{MS}	161	μm/N
Force Factor	$B \times l$	4.72	Wb/m
Equivalent Acoustic Volume.....	V_{AS}	10.3	lt.
Maximum Linear Displacement	X_{MAX}	+/-1.0	mm
Reference Efficiency	η_0	0.95	%
Diaphragm Area	S_D	213.8	cm ²
Losses Electrical Resistance.....	R_{ES}	27.0	Ω
Voice Coil Inductance @ 1kHz	L_E	0.36	mH

CONSTRUCTIVE CHARACTERISTICS

Magnet.....	AlNiCo
Voice Coil Winding.....	Copper
Voice Coil Former.....	Epotex
Cone	Paper
Surround.....	Paper - Integrated
Dust Dome	Treated Cloth
Basket	Pressed Sheet Steel

ELECTRICAL CHARACTERISTICS

Nominal Impedance.....	8	Ω
Musical Power	50	W
Rated Power*	25	W
Sensitivity @ 1 W, 1 m	92.5	dB



*rated power measured with 2 hours test with pink noise signal, 6 dB crest factor, loudspeaker mounted on enclosure

Frequency Response on IEC Baffle (DIN 45575) @ 1 W, 1 m - Free Air Impedance

