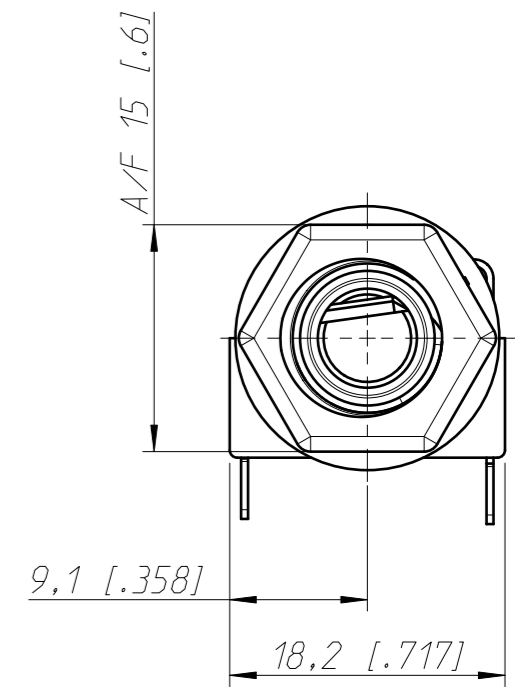
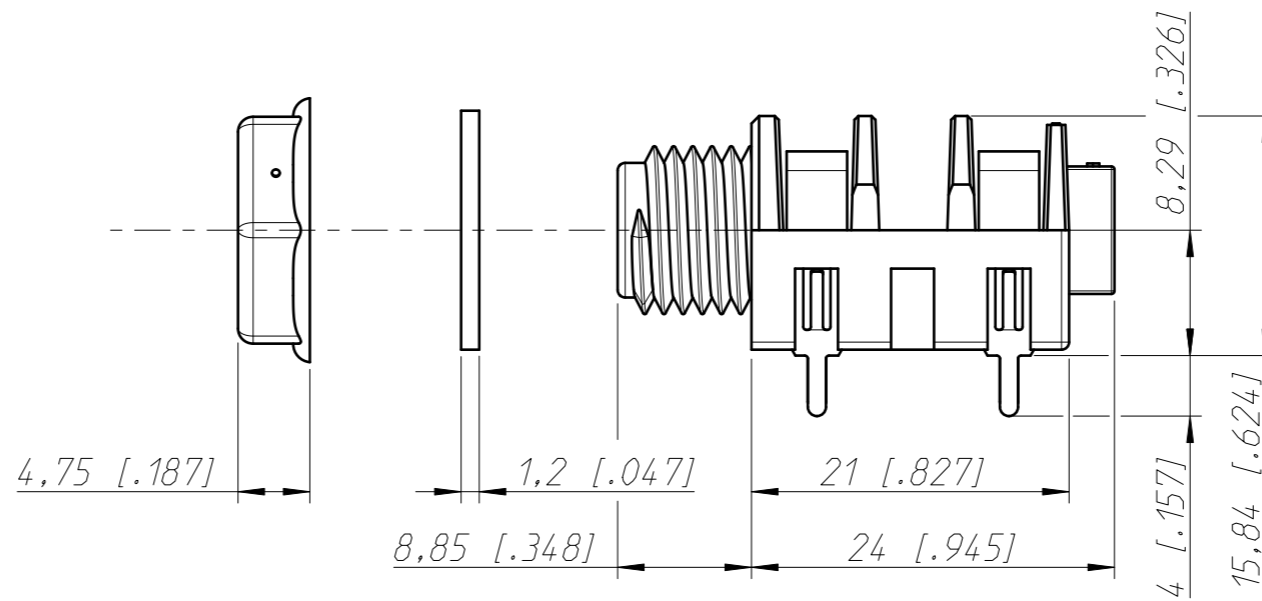
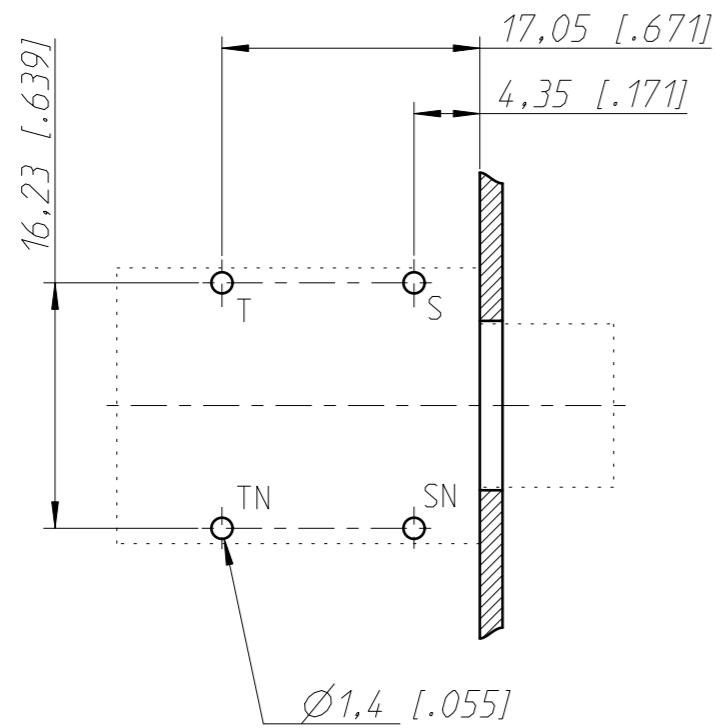
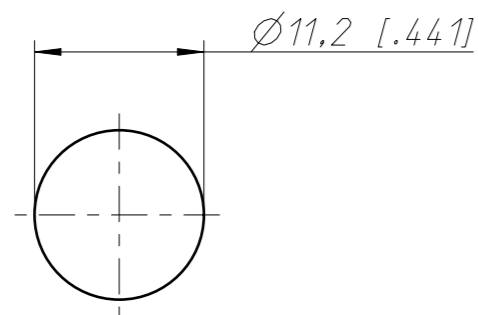


Print Bohrplan Bestückungsseite  
PCB-Layout (component side)



Frontplattenausschnitt (Rückseite)  
Panel cut out (rear side)



Sheet Number 1/1	Projection 	Scale 2:1	Format A3	Tolerancing ISO 2768-mK	
ECN Number		Created	20.02.2003	noe	
Description  NMJ4HFD2	Modified	22.02.2021	mmu		
	Approved	23.02.2021	phk		
	Status	Released			
<b>NEUTRIK</b>	3D Model ID NMJ4HFD2	Document ID ST-NMJ4HFD2	Revision -		