

# ToneSpeak™

Model # Birmingham 1275 Part # 86035  
12" Guitar Speaker, 75 Watt, 8 Ohm



## Key Features

- 12" Speaker
- 75 Watts
- 8 Ohm
- 50 oz. Magnet
- 1.75" Voice Coil Diameter
- Nomex Voice Coil Former

## Primary Specifications

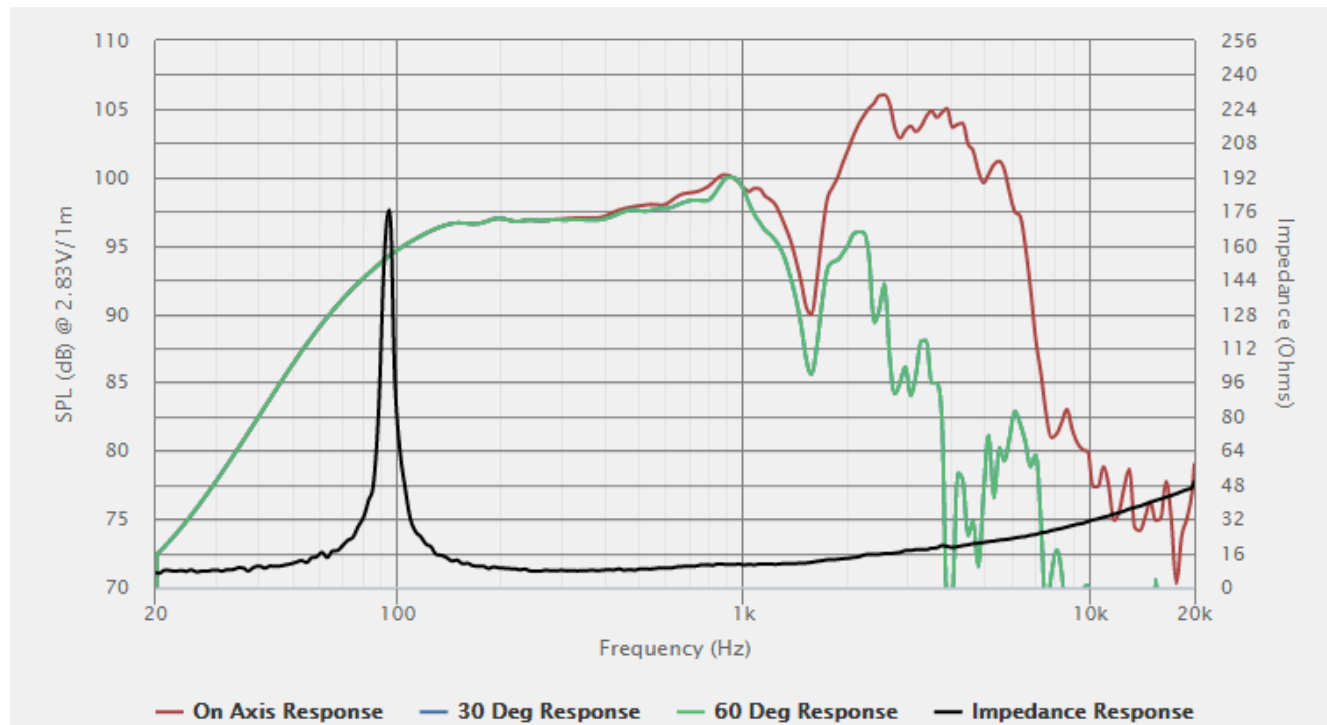
Size, Nominal (inch & mm)	12" (305 mm)
Nominal Impedance (Z) (Ω)	8
Rated Power IEC268-5 (W)	75
Sensitivity (dB SPL)¹ (@1W/1 m)	100
Frequency range (Hz)	80 – 5,000
Resonant Frequency (Fs) (Hz)	93

## Product Description

This speaker has a personality all its own, with balance from top to bottom and rich harmonic complexity. Good punch and definition in the lows that won't get flabby, a warm, throaty, and broad midrange, and nice grit with soaring articulation in the highs.

## Sensitivity & Impedance Curves

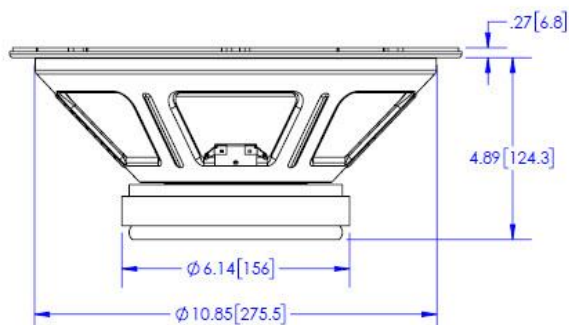
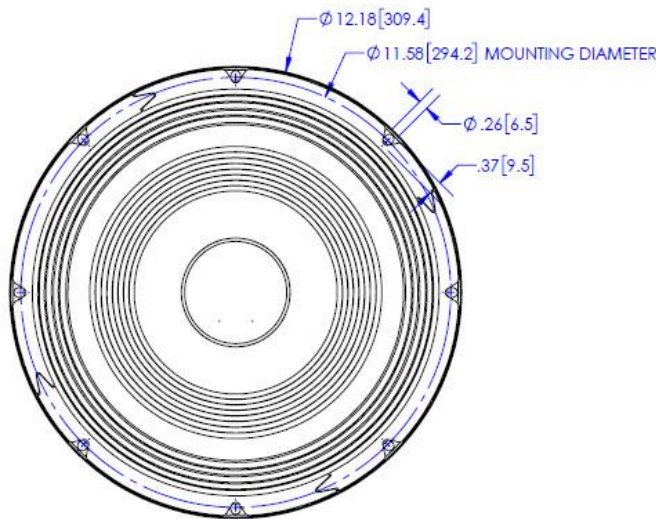
Input: 2.83 volts measured at 1 Meter





**Model # Birmingham 1275 Part # 86035**  
**12" Guitar Speaker, 75 Watt, 8 Ohm**

**Transducer Drawings\***



\*CAD file available upon request

**Transducer Specifications (Klippel LPM)**

Nominal Impedance (ohms)	8
DC Resistance (Re) (ohms)	7.1
Resonant Frequency (Fs) (Hz)	93
Voice Coil Inductance (Le) (mH)	0.37
Mechanical Q factor (Qms)	20.8
Electrical Q factor (Qes)	0.71
Total Q factor (Qts)	0.69
Moving Mass (Mms) (g)	29.9
Compliance (Cms) (mm/N)	0.1
Mechanical Resistance (Rms) (kg/s)	0.84
Effective Piston Area (Sd) (cm <sup>2</sup> )	539.1
Suspension Equivalent Volume (Vas) (liters)	40.2
Force Factor (Bl) (T*m)	13.1
Efficiency (No) (%)	4.35

**About ToneSpeak™**

ToneSpeak guitar speakers are the result of years and years of the deep-dive for the perfect tone. Decades of testing, field experience and conversations with elite tone-chasers have all been poured into these fine products. When you play ToneSpeak, you play the best.

**All ToneSpeak products are assembled in Minnesota, with parts sourced from around the world to produce the highest combination of performance, consistency, and customer value.**

