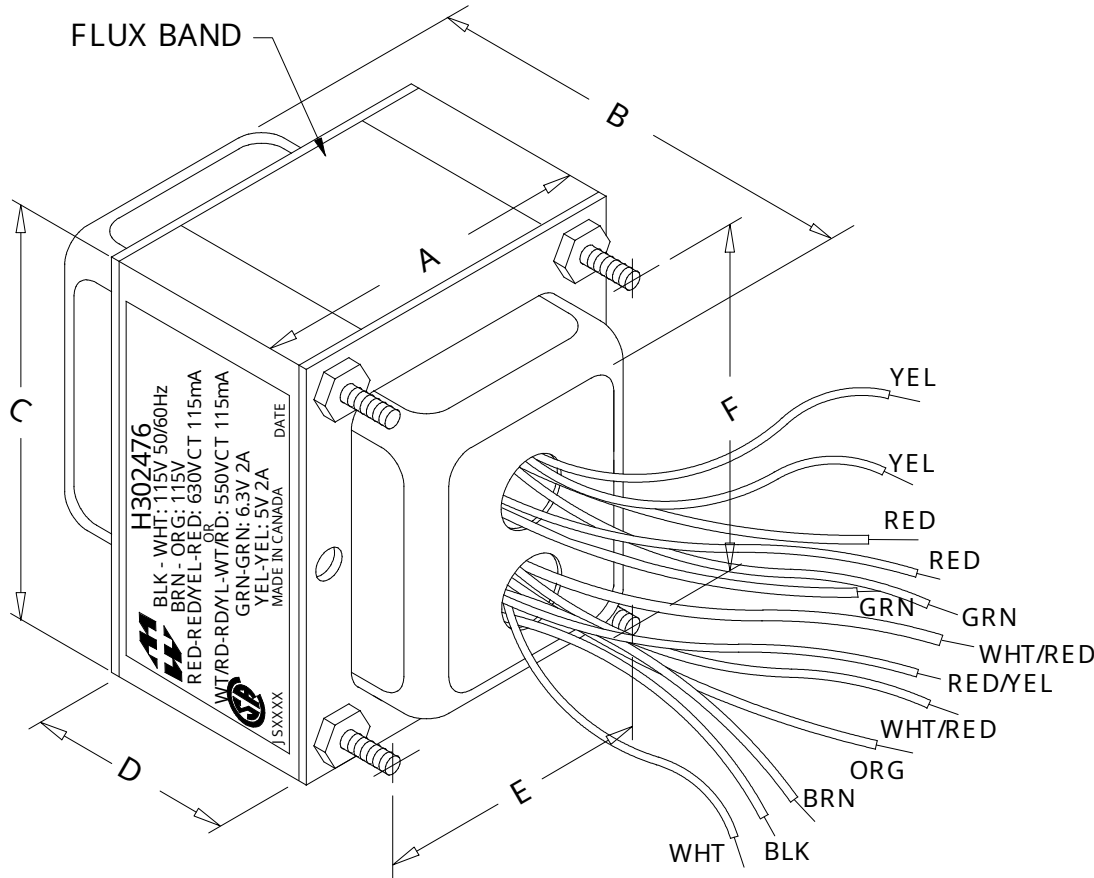
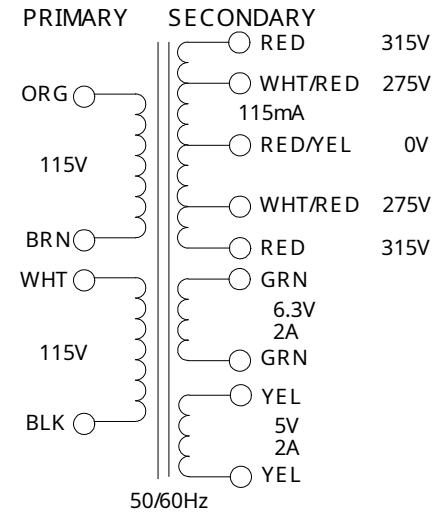


Hammond 290CAX 115-230 V für Fender Universal 125P1B / 022772

DIMENSIONS:	
A	2.500" ±0.063
B	3.630" ±0.125
C	3.000" ±0.063
D	2.000" ±0.063
E	2.000" ±0.063
F	2.500" ±0.063



NOTE: ALL LEADS 12" OUT MIN., STRIPPED .5"

ELECTRICAL DATA:		
TESTS	CONDITIONS	ACCEPTANCE CRITERIA
Iex	@ 115V, 60Hz, BLK - WHT	150mA Max.
Sec. N.L.V	@ 115V, 60Hz, BLK - WHT	
	WT/RD - RD/YL = RD/YL - WT/RD =	293.2V ±2%
	RED - RED/YEL = RED/YEL - RED =	336.6V ±2%
	RED - RED =	673.2V ±2%
	GRN - GRN =	6.854V ±2%
	YEL - YEL =	5.331V ±2%
DCR	@ 20°C, BLK - WHT =	6.794 ±20%
	@ 20°C, BRN - ORG =	7.232 ±20%
	@ 20°C, RED - RED =	186.2 ±20%
	@ 20°C, GRN - GRN =	0.099 ±20%
	@ 20°C, YEL - YEL =	0.080 ±20%
HIPOT	PRIMARY - SECONDARY	3000V, 60Hz, 1 SEC

REV.#	REVISION	DATE
0	RELEASED.	C.I. 08/08/24



ELECTRONIC DIVISION
52 RANKIN PLACE,
WATERLOO, ONTARIO, N2J 3Z5
PH # (519) 886-6181
FAX # (519) 886-9540

DWG. BY: C. ILIE	CHK'D BY:	TITLE: POWER TRANSFORMER	DWG. NO. H302476
DATE: 08/08/24	APP'D. BY:	DIMENSIONS: IN(X) MM()	