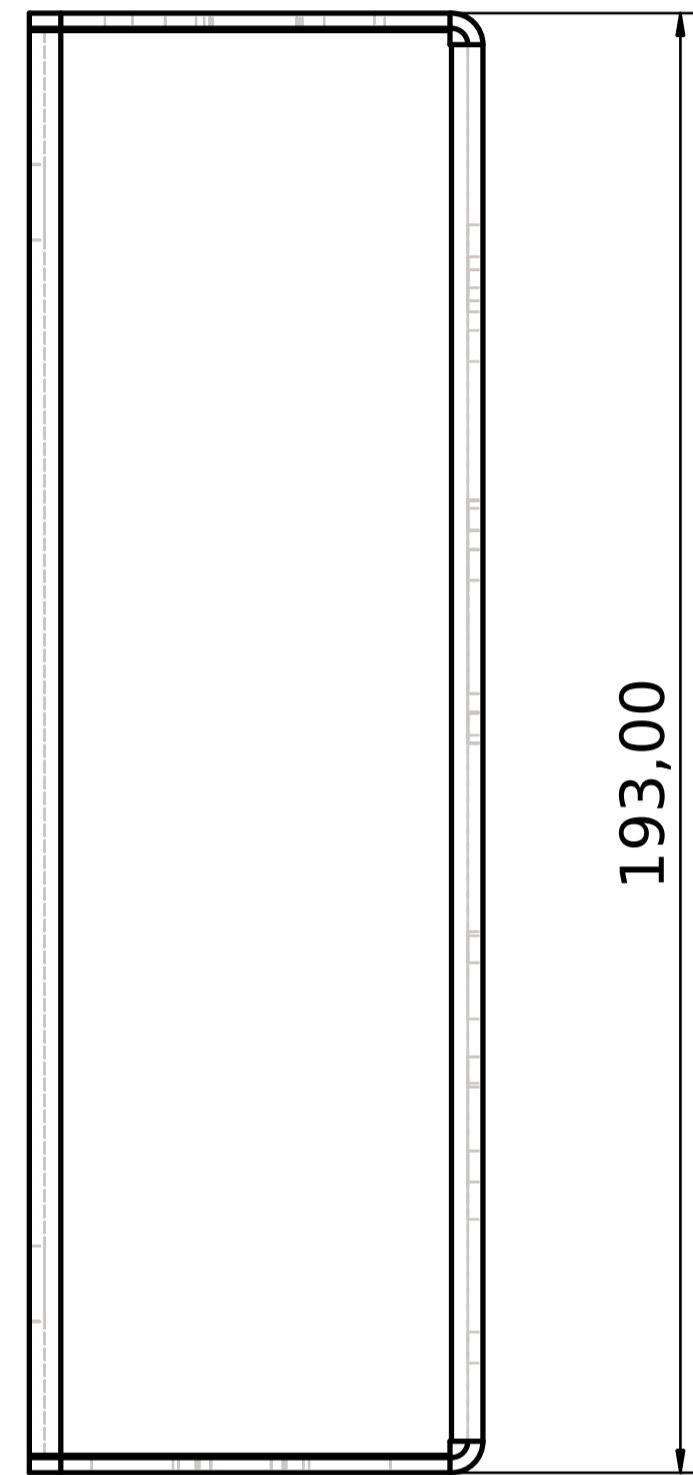
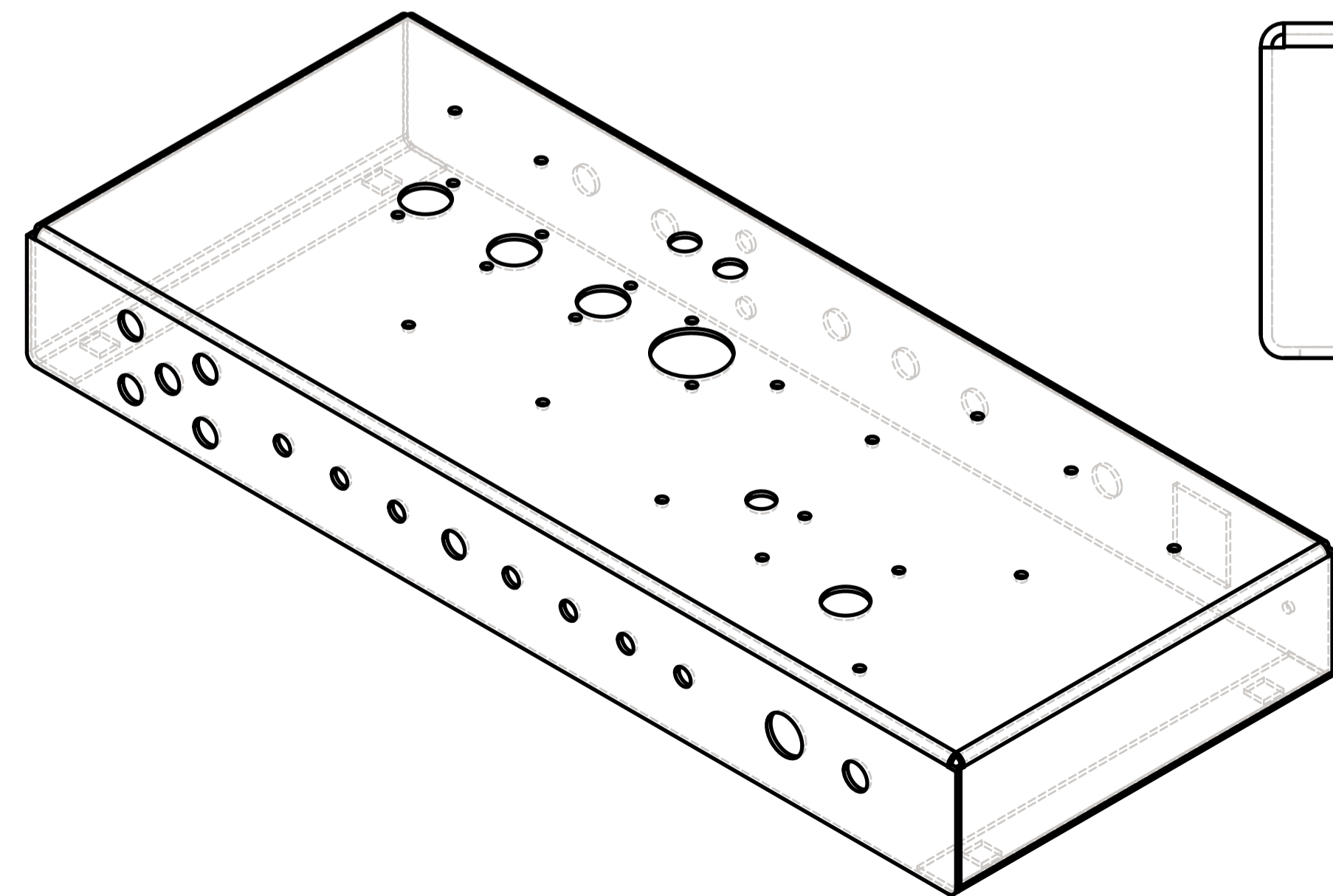
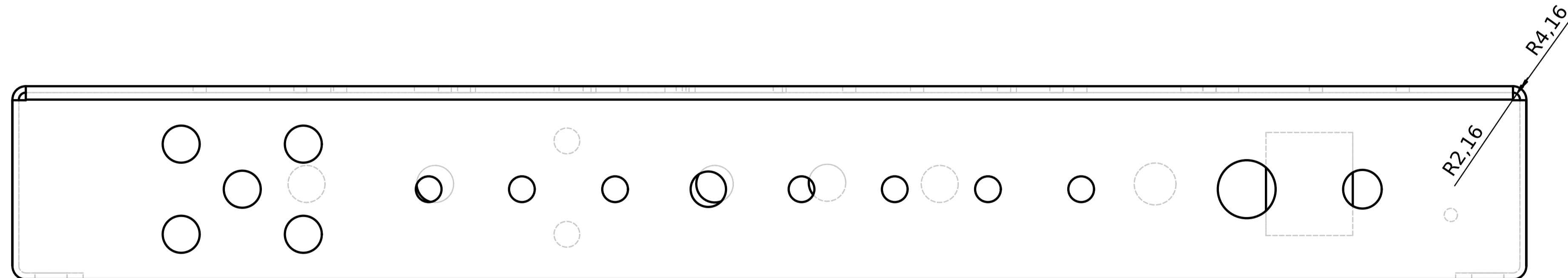
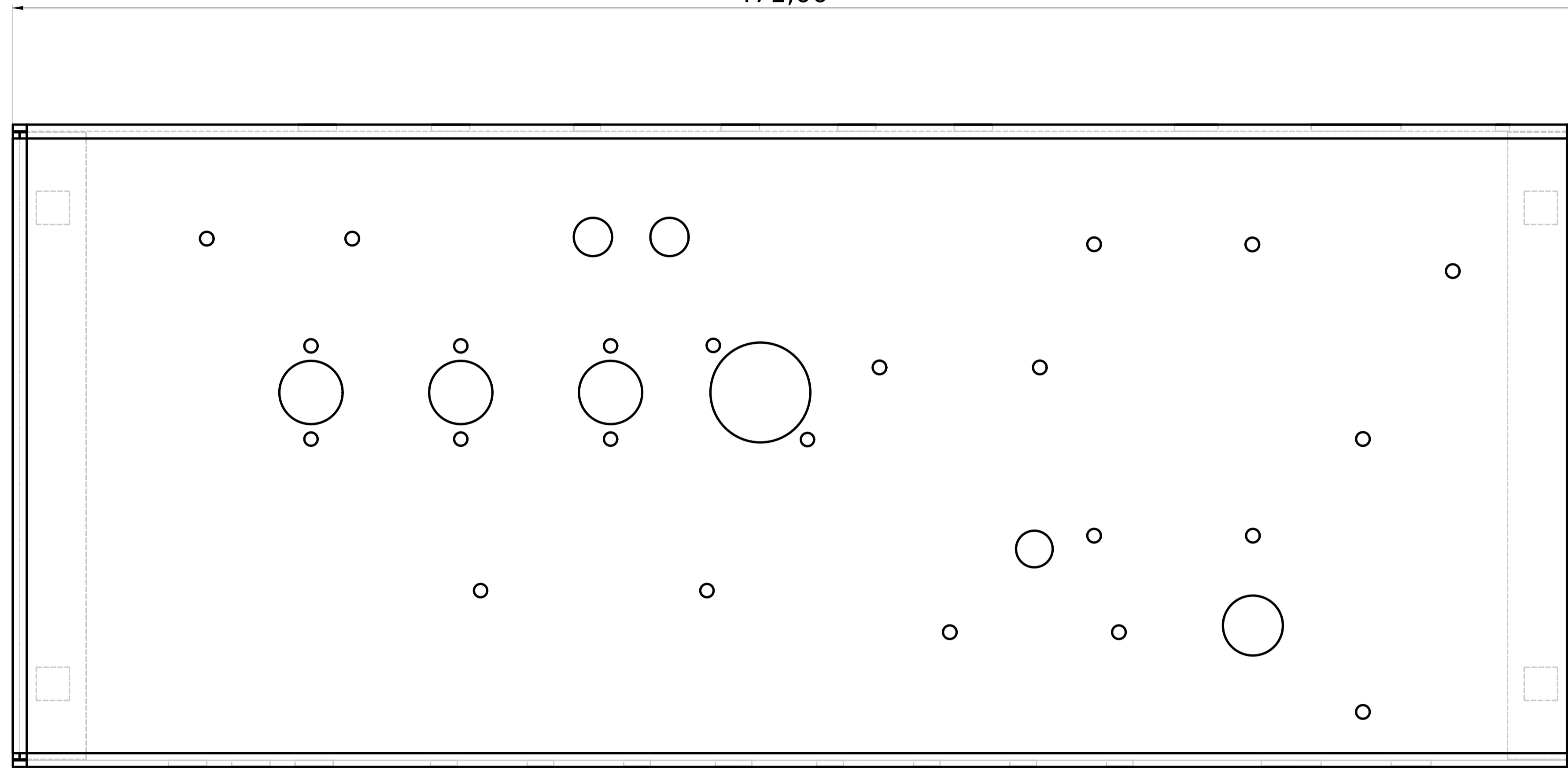


471,00



193,00



| | | | |
|---|-----------------|--------------------------------|--|
| Created by: Tube-Town GmbH / DM | | Title: TT-CH035 geschlossen | |
| Size: A1 | Sheet: 1 / 1 | Scale: M 1:1 | |
| Supplementary information: Material 2 mm AlMg3 | | | |
| Part number: | | | |
| Drawing number: | | | |
| Date: 03/2022 | | Revision: REV A | |